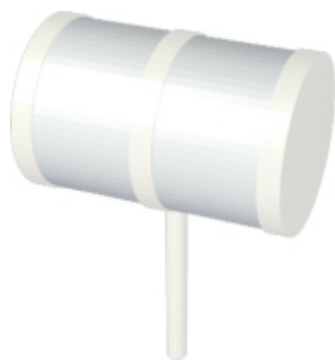
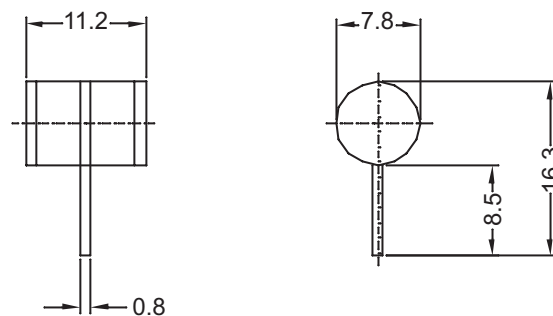


3 Electrode

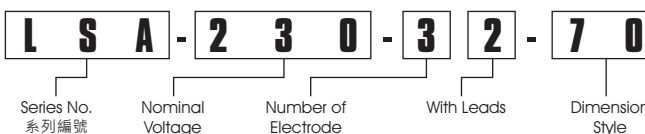
Dimension Style 70



WITH LEADS



HOW TO ORDER



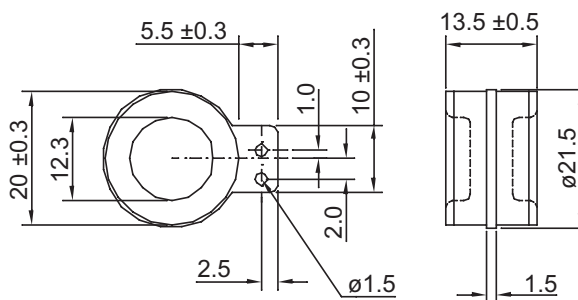
Unit = mm

Part Number	DC Breakdown Voltage (100V/s)	Impulse Sparkover Voltage (100V/μs)	Nominal Impulse Discharge Current (8/20μs) (10 times)	Nominal AC Discharge Current (1 sec) (10 times)	DC Holdover Voltage (10/1000μs) (500A)	Impulse Life (10/1000μs) 200A	Minimum Insulation Resistance	Maximum Capacitance (Without case)
With Leads	(V)	(V)	(kA)	(A)	(V)	(times)	(MΩ)	(pF)
LSA-230-32-70	184-276	≤ 800	10	20	150	300	≥ 10 ⁴	≤ 2.0

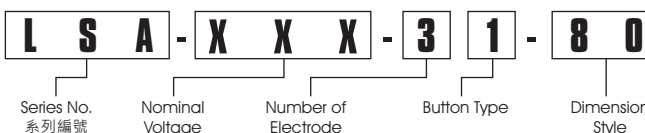
Dimension Style 80



BUTTON TYPE



HOW TO ORDER



Unit = mm

Part Number	DC Breakdown Voltage (100V/s)	Impulse Sparkover Voltage (1000V/μs)	Nominal Impulse Discharge Current (8/20μs)	Nominal AC Discharge Current (1 sec) (10 times)	DC Holdover Voltage	Impulse Life (10/1000μs) 200A	Minimum Insulation Resistance	Maximum Capacitance (Without case)
Button Type	(V)	(V)	(kA)	(A)	(V)	(times)	(MΩ)	(pF)
LSA-290-31-80	220-360	≤ 1000	40	40	150	400	≥ 10 ⁴	≤ 5.0
LSA-480-31-80	400-580	≤ 1500	40	40	150	400	≥ 10 ⁴	≤ 5.0
LSA-700-31-80	600-800	≤ 1800	40	40	150	400	≥ 10 ⁴	≤ 5.0

All Specification changes without prior notice